

Spring plungers

Steel / Stainless Steel, Ball with Friction Bearing, with Internal Hex

SPECIFICATION

Types

- Type **K**: Steel, standard spring load
- Type **KS**: Steel, high spring load
- Type **KN**: Stainless Steel, standard spring load
- Type **KSN**: Stainless Steel, high spring load

Type K / KS

- Housing Steel, blackened
- Ball Steel, hardened

Type KN / KSN

- Housing Stainless Steel AISI 303
- Ball Stainless Steel AISI 420C, hardened

Spring

Stainless Steel AISI 631

Friction bearing

- Plastic
- temperature resistant up to 90 °C

Identification of type KS/KSN:

Housing with 2 longitudinal markings



INFORMATION

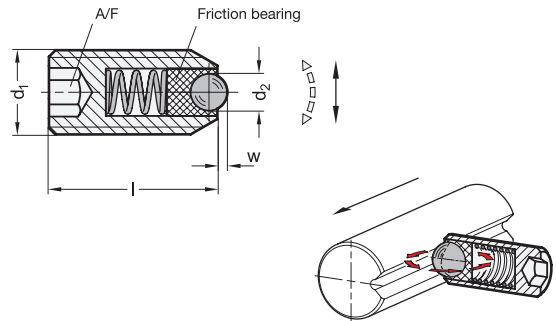
GN 615.9 spring plungers are used for locking as well as for pressure and hold-off functions.

The ball is mounted in a plastic shell so as to be freely movable, which enables rolling and therefor generally optimizes the locking characteristics. Above all, this reduces wear on the counter piece.

A further characteristic of these plungers is that the plastic bearing acts as an electrical insulator.

TECHNICAL INFORMATION

- Stainless Steel characteristics (see page A26)



08

GN 615.9-K/KS

Description	d1	d2	l	A/F	w	Spring load in N ≈ initial	Spring load in N ≈ end	⚖
GN 615.9-M5-K	M 5	2	14	2.5	0.5	4.8	6.8	1
GN 615.9-M6-K	M 6	2.5	15	3	0.7	6.3	10	2
GN 615.9-M8-K	M 8	3.5	18	4	0.95	16	24	4
GN 615.9-M10-K	M 10	4.5	23	5	1.4	18.8	31.7	7
GN 615.9-M12-K	M 12	6.5	26	6	2.3	26	49	11
GN 615.9-M16-K	M 16	8.5	33	8	3.1	38	68	30
GN 615.9-M5-KS	M 5	2	14	2.5	0.5	10	14	1
GN 615.9-M6-KS	M 6	2.5	15	3	0.7	11	16	2
GN 615.9-M8-KS	M 8	3.5	18	4	0.95	23	40	4
GN 615.9-M10-KS	M 10	4.5	23	5	1.4	28	54.3	7
GN 615.9-M12-KS	M 12	6.5	26	6	2.3	39.5	77.3	11
GN 615.9-M16-KS	M 16	8.5	33	8	3.1	50	88.7	30

GN 615.9-KN/KSN

STAINLESS STEEL

Description	d1	d2	l	A/F	w	Spring load in N ≈ initial	Spring load in N ≈ end	⚖
GN 615.9-M5-KN	M 5	2	14	2.5	0.5	4.8	6.8	1
GN 615.9-M6-KN	M 6	2.5	15	3	0.7	6.3	10	2
GN 615.9-M8-KN	M 8	3.5	18	4	0.95	16	24	4
GN 615.9-M10-KN	M 10	4.5	23	5	1.4	18.8	31.7	7
GN 615.9-M12-KN	M 12	6.5	26	6	2.3	26	49	12
GN 615.9-M16-KN	M 16	8.5	33	8	3.1	38	68	30
GN 615.9-M5-KSN	M 5	2	14	2.5	0.5	10	14	1
GN 615.9-M6-KSN	M 6	2.5	15	3	0.7	11	16	2
GN 615.9-M8-KSN	M 8	3.5	18	4	0.95	23	40	4
GN 615.9-M10-KSN	M 10	4.5	23	5	1.4	28	54.3	7
GN 615.9-M12-KSN	M 12	6.5	26	6	2.3	39.5	77.3	12
GN 615.9-M16-KSN	M 16	8.5	33	8	3.1	50	88.7	30

Indexing elements